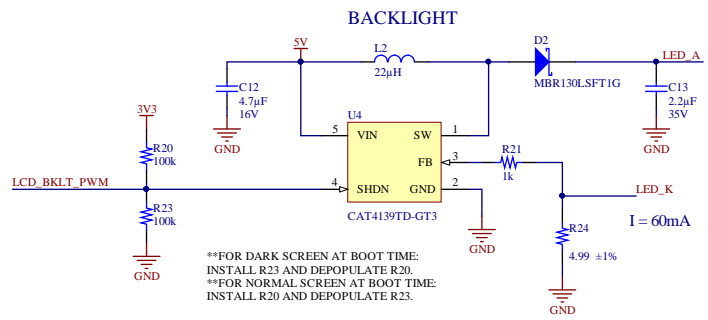
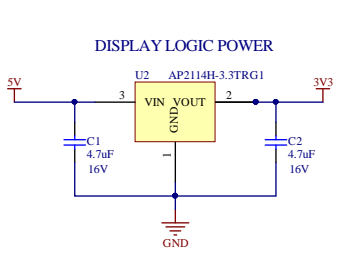
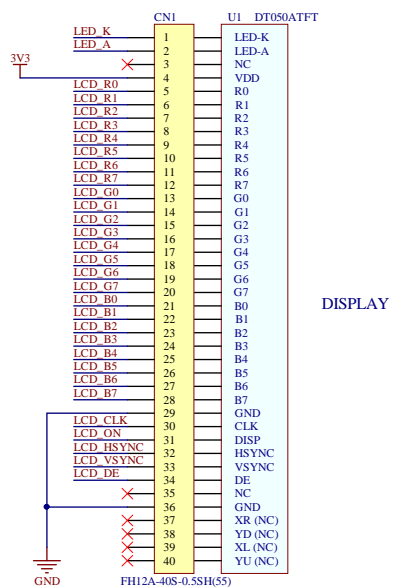
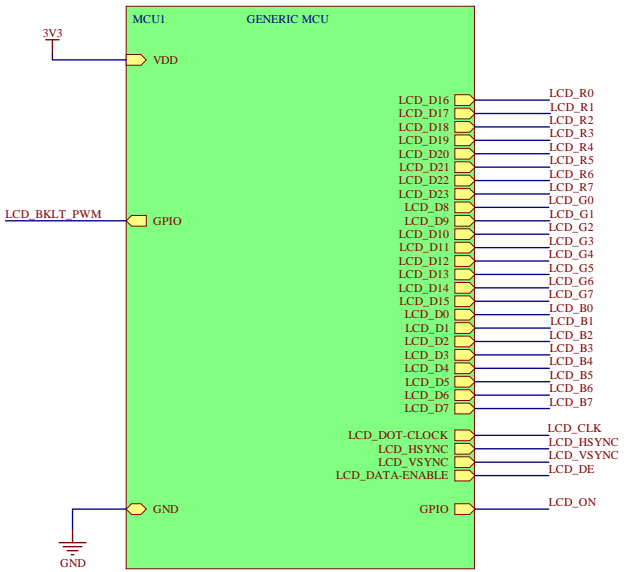


DT050ATFT RGB Reference Design



Project: DT050ATFT Reference Design			 a seacompany	
Title: DT050ATFT RGB Reference Design				
Size: A3	Doc Number: 1	Revision: REVA1	Drawn By: RCG	SEACOMP Displaytech 2546 Gateway Road Carlsbad, CA 92009 USA
Date: 2/11/2020	Time: 9:45:13 AM	Sheet: 1 of 1	Approved:	
File: DT050ATFT.SchDoc			Date:	