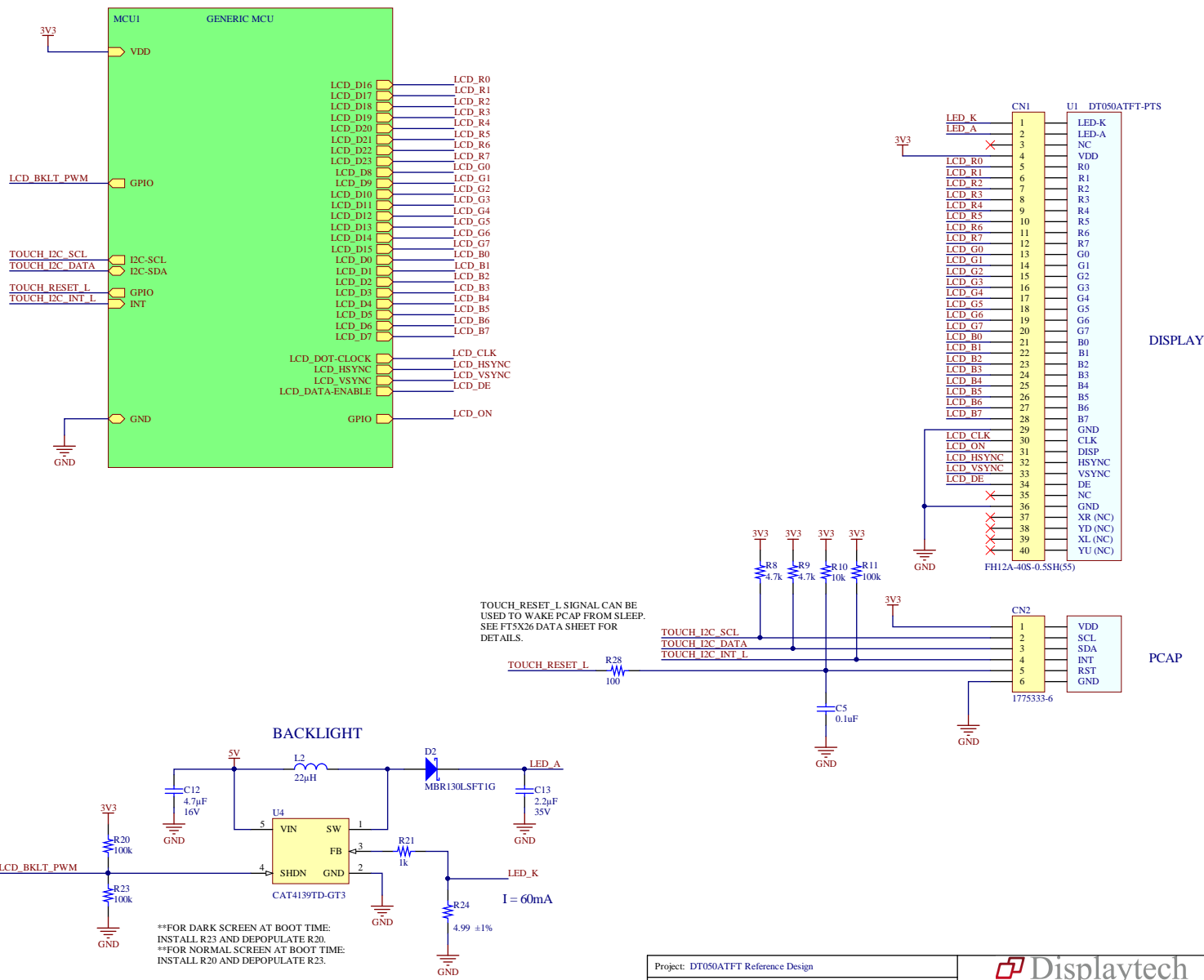



DT050ATFT-PTS Reference Design



Project: DT050ATFT Reference Design			 a SEACOMP COMPANY	
Title: DT050ATFT-PTS Reference Design				
Size: A3	Doc Number: 1	Revision: REVA1	Drawn By: RCG	SEACOMP Displaytech 2546 Gateway Road Carlsbad, CA 92009 USA
Date: 2/11/2020	Time: 9:45:15 AM	Sheet: 1 of 1	Approved:	
File: DT050ATFT-PTS.SchDoc			Date:	