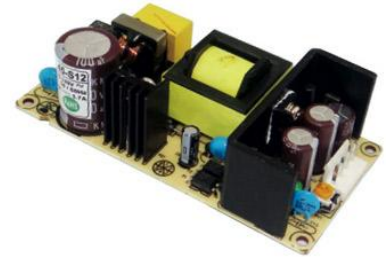


|                    |                                 |
|--------------------|---------------------------------|
| <b>PART NUMBER</b> | HDP-O-45 Series                 |
| <b>DESCRIPTION</b> | 45 Watt Open Frame Power Supply |

## HDP-O-45 Series 45 Watt Open Frame Power Supply

### Features

- Universal AC input / Full range (90 ~ 264Vac)
- High efficiency, long life and high reliability
- Output protections: SCP/OVP/OLP/OPP
- Wide operating ambient temperature (-10°C ~ 60°C)
- All 105°C long life electrolytic capacitors
- 100% full load burn-in test
- 3 year warranty



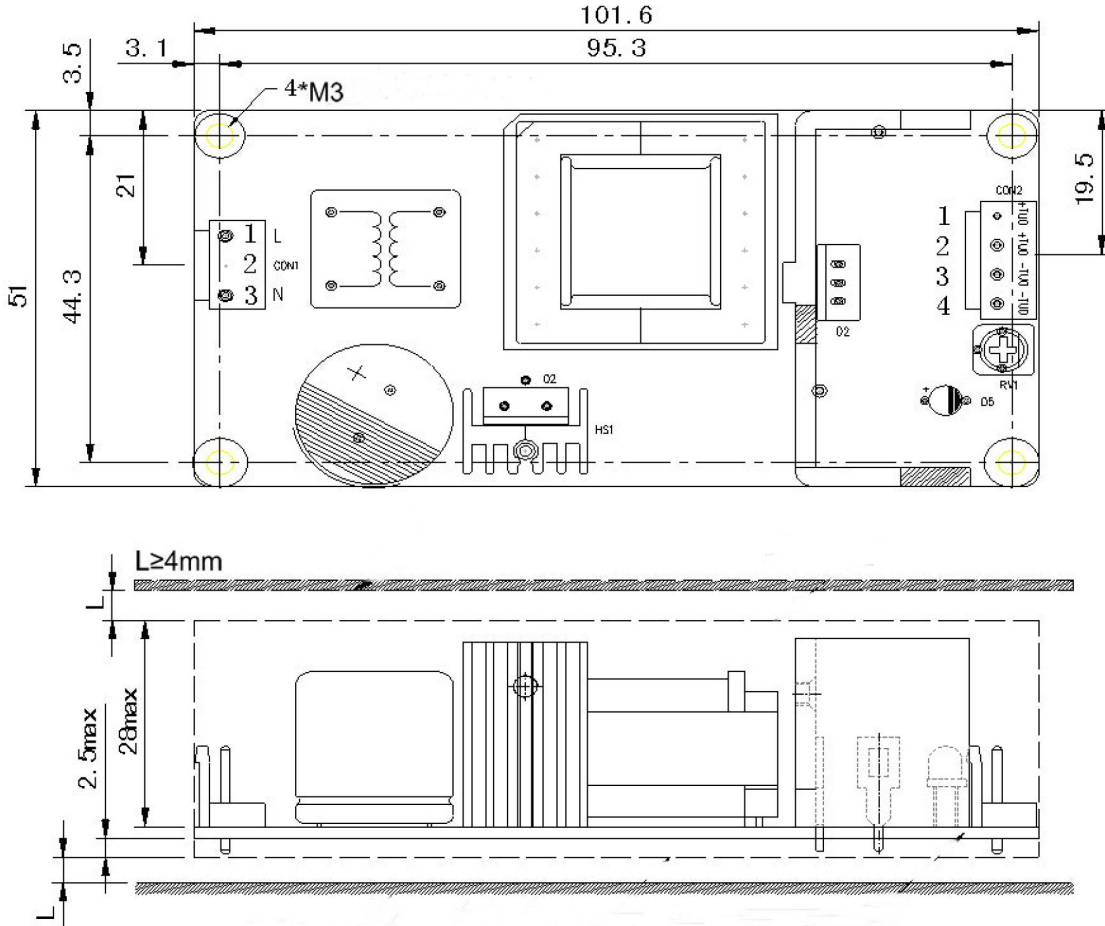
### Specifications

|                       |  | HDP-O-45-12   | HDP-O-45-24                                     | HDP-O-45-48  |         |
|-----------------------|--|---|---|--------------|---------|
| OUTPUT                | DC Output  | 12V   | 24V   | 48V          |         |
|                       | Rated Current  | 3.7A  | 1.9A  | 1A           |         |
|                       | Ripple and Noise (NOTE 1)  | 0 ~ 60°C  | ≤ 120mV   | ≤ 120mV      | ≤ 120mV |
|                       |  | -10°C ~ 0°C   | ≤ 200mV   | ≤ 200mV      | ≤ 200mV |
|                       | Voltage ADJ. Range   | 11.4 ~ 13.2V  | 22.8 ~ 26.4V                                    | 45.6 ~ 52.8V |         |
|                       | Voltage Accuracy   | ±3.0%   |   |              |         |
|                       | Line Regulation  | ±1.0%   |   |              |         |
|                       | Load Regulation  | ±3.0%   |   |              |         |
|                       | Set-up Time  | ≤ 0.8S@230Vac Full load   |   |              |         |
|                       | Hold-up Time   | ≥ 60mS@230Vac Full load   |   |              |         |
|                       | Temperature Coefficient  | ±0.05%/°C   |   |              |         |
|                       | Overshoot and Undershoot   | < 5.0%  |   |              |         |
| INPUT                 | Voltage Range (NOTE 2)   | 90Vac ~ 264Vac  |   |              |         |
|                       | Frequency Range  | 47Hz ~ 63Hz   |   |              |         |
|                       | Efficiency (Typical)   | 220Vac input  | ≥ 82%   | ≥ 85%        | ≥ 86%   |
|                       | AC Current (Max.)  |   | < 1A (115Vac) < 0.6 (230Vac)                    |              |         |
|                       | Inrush Current (Typical)   |   | < 20A@115Vac < 45A@230Vac Cold Start            |              |         |
|                       | Leakage Current  |   | Input to Output: ≤ 0.25mA; Input to PG: ≤ 3.5mA |              |         |
| PROTECTION            | Over Load  | 3.9 ~ 6.2A  | 2.0 ~ 3.2A                                      | 1.1 ~ 1.56A  |         |
|                       | Over Voltage   | 13.8 ~ 16.2V  | 27.6 ~ 32.4V                                    | 55.2 ~ 64.8V |         |
|                       |  | Protection type: constant voltage, auto recovery                                    |   |              |         |
|                       | Over Power   | 46.8 ~ 75W  | 48 ~ 75W  | 53 ~ 75W     |         |
|                       |  | Protection type: hiccup mode, auto recovery   |   |              |         |
| Shorted Circuit       | Long-term mode, auto recovery  |   |   |              |         |
| ENVIRONMENT           | Operating amb Temp. & Hum.   | -10°C ~ 60°C; 20% ~ 90%RH No Condensing (refer to the derating curve)               |   |              |         |
|                       | Storage Temp. & Hum.   | -25°C ~ 85°C; 10% ~ 95%RH No Condensing   |   |              |         |
| SAFETY & EMC (NOTE 3) | Safety Standards   | UL60950-1; EN60950-1: 2006  |   |              |         |
|                       | Withstand Voltage  | Input – Output: 3.0kVac/10mA; Output – PG: 1.5kVac/10mA; Output – PG: 0.5kVdc/≤10mA |   |              |         |
|                       | Isolation Resistance   | ≥100M ohms  |   |              |         |
|                       | EMI Conduction & Radiation   | Compliance to EN55022 Class B   |   |              |         |
|                       | Harmonic Current   | Compliance to EN61000-3-2, -3   |   |              |         |
|                       | EMS Immunity   | Compliance to EN61000-4-2,3,4,5,6,8,11; heavy industry level                        |   |              |         |
| OTHERS                | MTBF (MIL-HDBK-217F)   | More than 200,000Hrs (25°C, Full load)  |   |              |         |
|                       | Dimension (L*W*H)  | 101.6 x 51 x 28 mm  |   |              |         |
|                       | Packing  | 60PCS/CTN, 11KGS, 0.024CBM  |   |              |         |
|                       | Cooling Method   | Cooling by free air convection  |   |              |         |
| NOTE                  | 1. All parameters NOT specially mentioned are measured at rated input, rated load and 25°C of ambient temperature<br>2. Measured at 20MHz of bandwidth by using a 12" twisted pair-wire terminated with a 0.1 uF & 10uF parallel capacitor<br>3. The SPS is considered a component which will be installed into final equipment. The equipment must be re-confirmed that it still meets EMC directives |   |   |              |         |

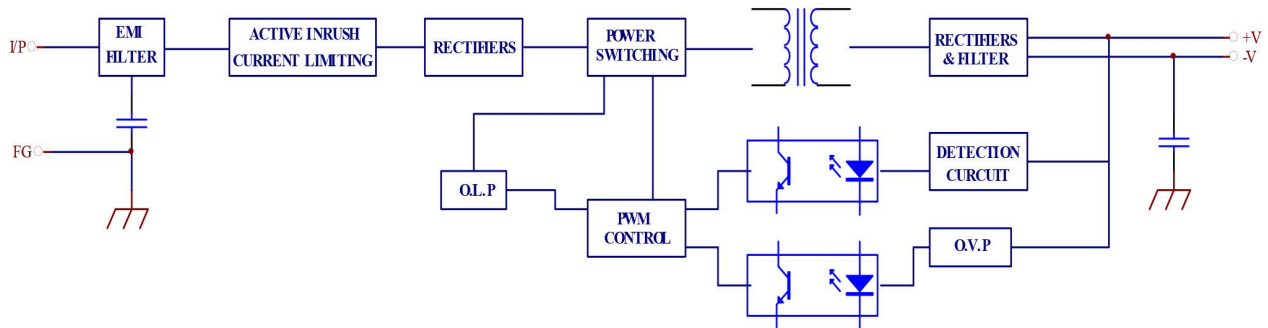
### Mechanical Specification

|                    |                                 |
|--------------------|---------------------------------|
| <b>PART NUMBER</b> | HDP-O-45 Series                 |
| <b>DESCRIPTION</b> | 45 Watt Open Frame Power Supply |

Unit: mm (Tolerance is ±1mm)



**Block Diagram**



|                    |                                 |
|--------------------|---------------------------------|
| <b>PART NUMBER</b> | HDP-O-45 Series                 |
| <b>DESCRIPTION</b> | 45 Watt Open Frame Power Supply |

Derating Curve

